

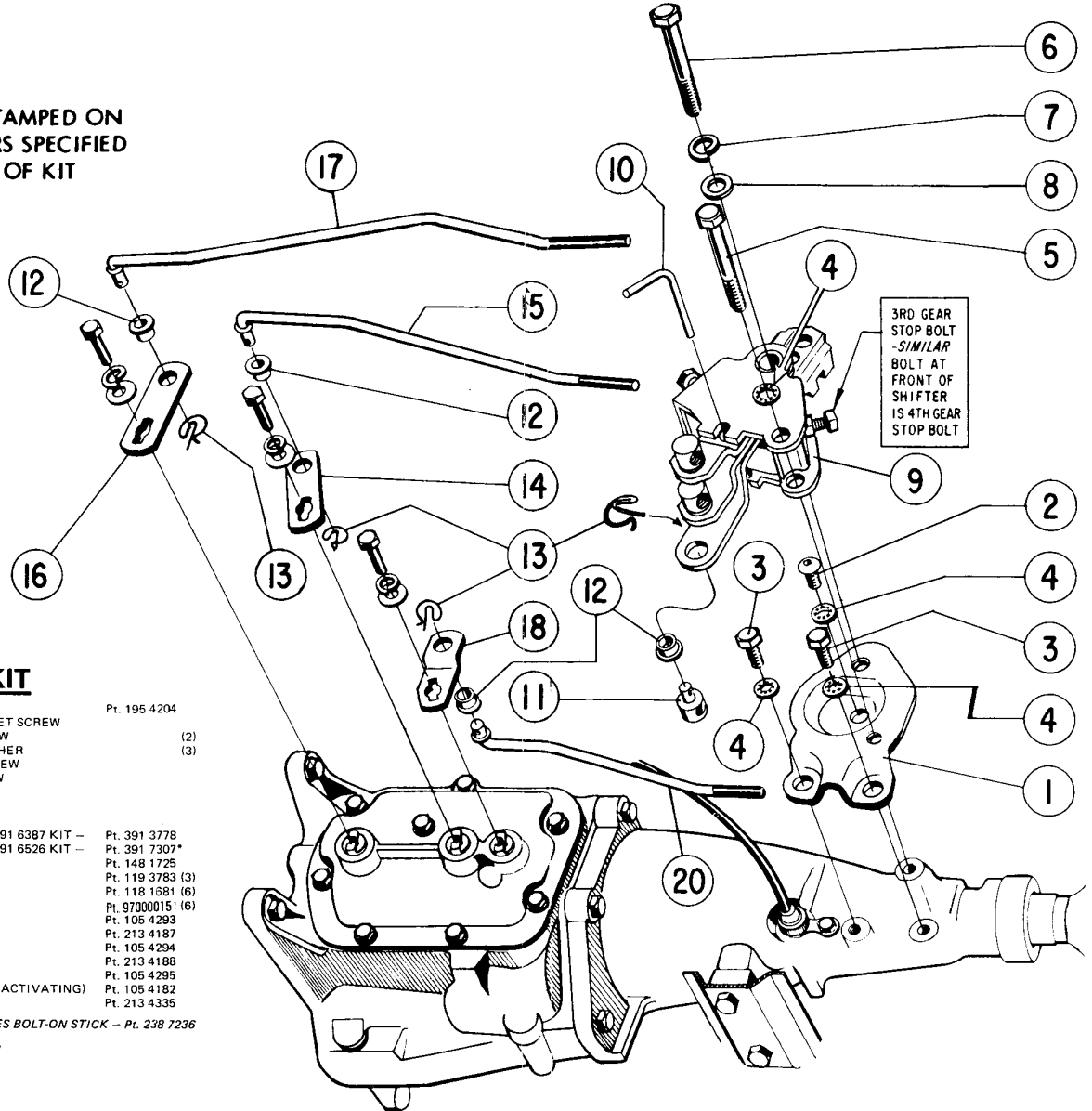


COMPETITION/PLUS[®]

U.S. PATENT NO. 3,216,274 & NO. 3,306,126

FOUR SPEED FLOOR SHIFT INSTALLATION INSTRUCTIONS

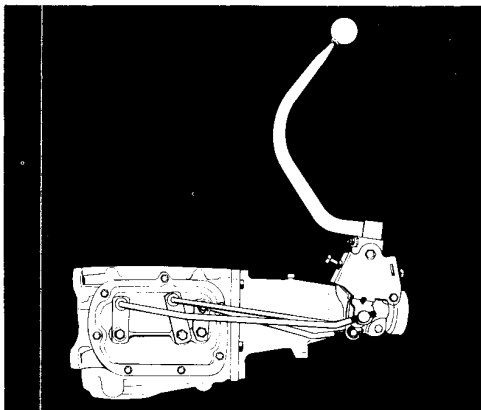
CHECK NUMBERS STAMPED ON
PARTS WITH NUMBERS SPECIFIED
IN CONTENTS OF KIT



CONTENTS OF KIT

- | | |
|--|---|
| 1. MOUNTING PLATE | Pt. 195 4204 |
| 2. 3/8 - 16 x 5/8 BUTTON HEAD SOCKET SCREW | |
| 3. 3/8 - 16 x 5/8 HEX HEAD CAP SCREW | (2) |
| 4. 3/8" INTERNAL TOOTH LOCKWASHER | (3) |
| 5. 3/8 - 24 x 2 3/4 HEX HEAD CAP SCREW | |
| 6. 7/16 - 20 x 3 HEX HEAD CAP SCREW | |
| 7. 7/16" SPLIT LOCKWASHER | |
| 8. 7/16 FLATWASHER | |
| 9. SHIFTER ASSEMBLY | |
| 10. NEUTRAL ALIGNMENT ROD | 291 6387 KIT - Pt. 391 3778
291 6526 KIT - Pt. 391 7307* |
| 11. ROD ADJUSTING BUTTON | Pt. 148 1725 |
| 12. BUSHING | Pt. 119 3783 (3)
Pt. 118 1581 (6) |
| 13. SPRING CLIP | Pt. 97000015 (6) |
| 14. ARM 1-2 | Pt. 105 4293 |
| 15. ROD 1-2 | Pt. 213 4187 |
| 16. ARM 3-4 | Pt. 105 4294 |
| 17. ROD 3-4 | Pt. 213 4188 |
| 18. ARM REVERSE | Pt. 105 4295 |
| 19. ARM (BACK-UP LIGHT SWITCH ACTIVATING) | Pt. 105 4182 |
| 20. ROD REVERSE | Pt. 213 4335 |

* Pt. 391 7307 SHIFTER ASSEMBLY USES BOLT-ON STICK - Pt. 238 7236
BAGGED HARDWARE Pt. 154 4242



373 4297

