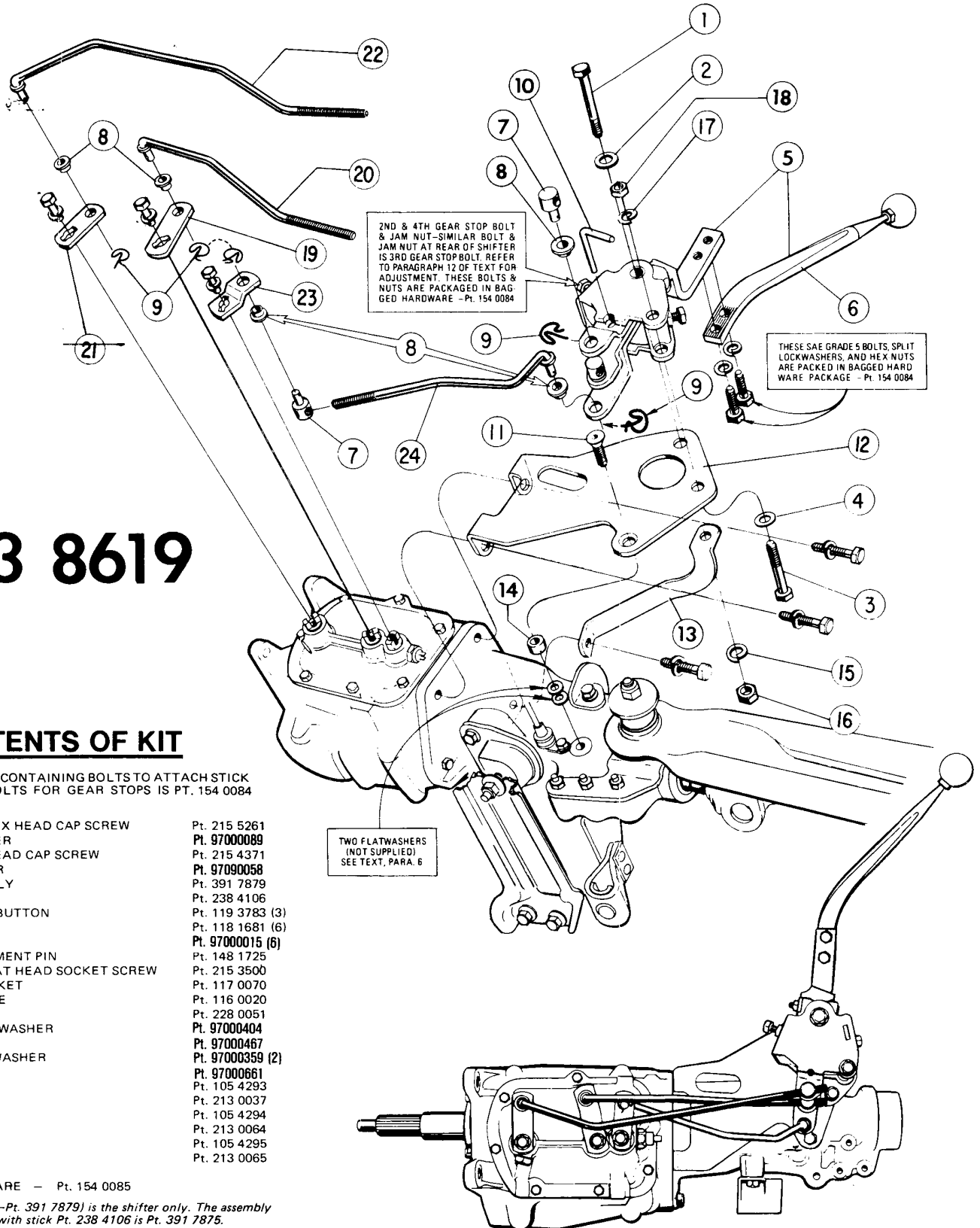




COMPETITION/PLUS

U.S. PATENT NO. 3,216,274 & NO. 3,306,126

INSTALLATION INSTRUCTIONS



373 8619

CONTENTS OF KIT

BAGGED HARDWARE CONTAINING BOLTS TO ATTACH STICK TO SHIFTER AND BOLTS FOR GEAR STOPS IS PT. 154 0084

- | | |
|---|------------------|
| 1. 7/16-20 x 3 1/4 HEX HEAD CAP SCREW | Pt. 215 5261 |
| 2. 7/16" FLATWASHER | Pt. 9700089 |
| 3. 3/8-24 x 3 HEX HEAD CAP SCREW | Pt. 215 4371 |
| 4. 3/8" FLATWASHER | Pt. 97090058 |
| 5. SHIFTER ASSEMBLY | Pt. 391 7879 |
| 6. STICK | Pt. 238 4106 |
| 7. ROD ADJUSTING BUTTON | Pt. 119 3783 (3) |
| 8. BUSHING | Pt. 118 1681 (6) |
| 9. SPRING CLIP | Pt. 97000015 (6) |
| 10. NEUTRAL ALIGNMENT PIN | Pt. 148 1725 |
| 11. 3/8-16 x 1 1/4 FLAT HEAD SOCKET SCREW | Pt. 215 3500 |
| 12. MOUNTING BRACKET | Pt. 117 0070 |
| 13. STIFFENER BRACE | Pt. 116 0020 |
| 14. SPACER | Pt. 228 0051 |
| 15. 7/16" SPLIT LOCKWASHER | Pt. 97000404 |
| 16. 7/16-20 HEX NUT | Pt. 97000467 |
| 17. 3/8" SPLIT LOCKWASHER | Pt. 97000359 (2) |
| 18. 3/8-24 HEX NUT | Pt. 97000661 |
| 19. ARM 1-2 | Pt. 105 4293 |
| 20. ROD 1-2 | Pt. 213 0037 |
| 21. ARM 3-4 | Pt. 105 4294 |
| 22. ROD 3-4 | Pt. 213 0064 |
| 23. ARM REVERSE | Pt. 105 4295 |
| 24. ROD REVERSE | Pt. 213 0065 |

BAGGED HARDWARE — Pt. 154 0085

No. 5, (shifter assembly—Pt. 391 7879) is the shifter only. The assembly number for this shifter with stick Pt. 238 4106 is Pt. 391 7875.